



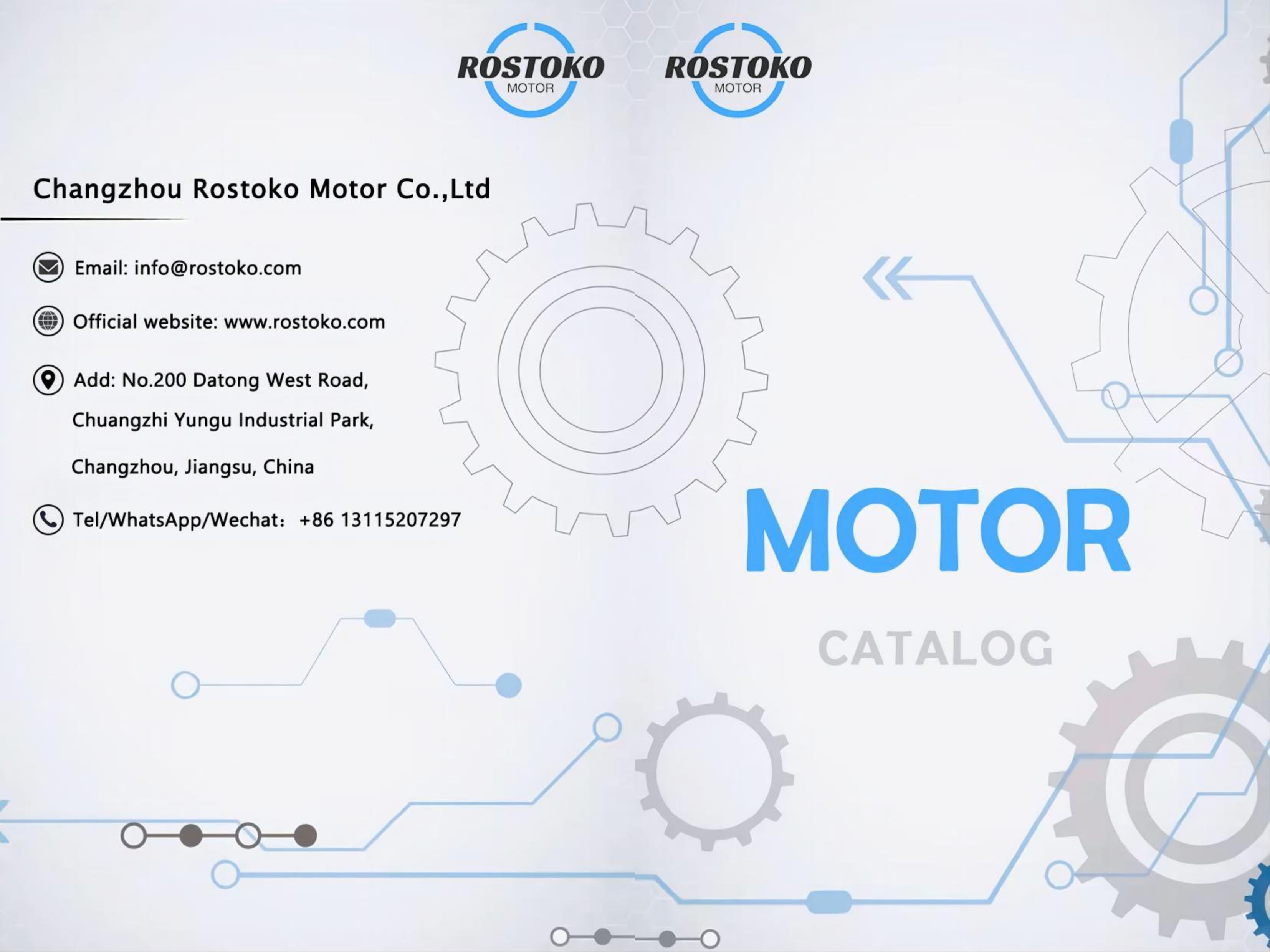
Changzhou Rostoko Motor Co.,Ltd

- ✉ Email: info@rostoko.com
- 🌐 Official website: www.rostoko.com
- 📍 Add: No.200 Datong West Road,
Chuangzhi Yungu Industrial Park,
Changzhou, Jiangsu, China
- ☎ Tel/WhatsApp/Wechat: +86 13115207297



MOTOR

CATALOG





MOTOR & DRIVER

Professional Manufacturer

VISIT US

www.rostoko.com



CONTENTS

Provide Best Motor/Driver Customization Solutions!

01 Company Overview

- Company Introduction.....P05
- Rostoko Brand.....P06
- Organization Structure.....P07
- Factory Environment.....P08
- Certificates.....P09

02 Electric Motor

- BLDC Motor.....P11-14
- Gearbox Motor.....P15-20
- Servo Motor.....P21-23
- Frameless BLDC Motor.....P24-26
- Slotless BLDC Motor.....P27-30

03 Driver/Controller

- Driver/Controller.....P32-34

04 Customized Products

- Customized Examples.....P37-40





Changzhou Rostoko Motor Co.,Ltd

Changzhou Rostoko Motor Co.,Ltd is a well-known professional Motor&Driver manufacturer based in Chuangzhi Yungu Industrial Park, Changzhou since 2009.

Rostoko Motor specializes in Brushless Motors, Servo BLDC motors, Gearboxes, Frameless Motors, Slotless Motors and different Electric Motors for all type of industries; besides, precision module parts, driving control system design and micro-motor solutions are also available in Rostoko motor.

With a manufacturing base spanning over 2400 square meters, equipped with 25 productions machines and 5 assembly lines, one R&D laboratory, Rostoko Motor now has an annual production capacity of 2.1 million units, providing high-quality products for the global industrial control industry with strict standards.

Rostoko products have received good reputation at home and abroad. At present, we are mainly exported to more than 60 countries. We have obtained China CCC,ISO9001 quality management system certificates, CE certified, EU, RoHS requirements, and some are UL certified.

Rostoko Motor insists on quality first, innovation and social responsibility as our development philosophy, and will continue to provide professional control motor manufacturing and R&D services for global customers in the future.



ROSTOKO BRAND



Servo Motor

2017



Slotless Motor

2022



Move into the new plant
Chuangzhi Yungu Zone

Company Set-up

2015

2009

2010-2014

Establish core R&D team

Focus on BLDC motor field

2016

Brushless Motor



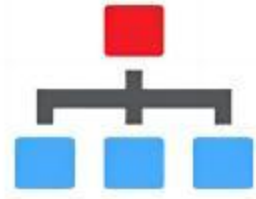
2020

Self-developed driver

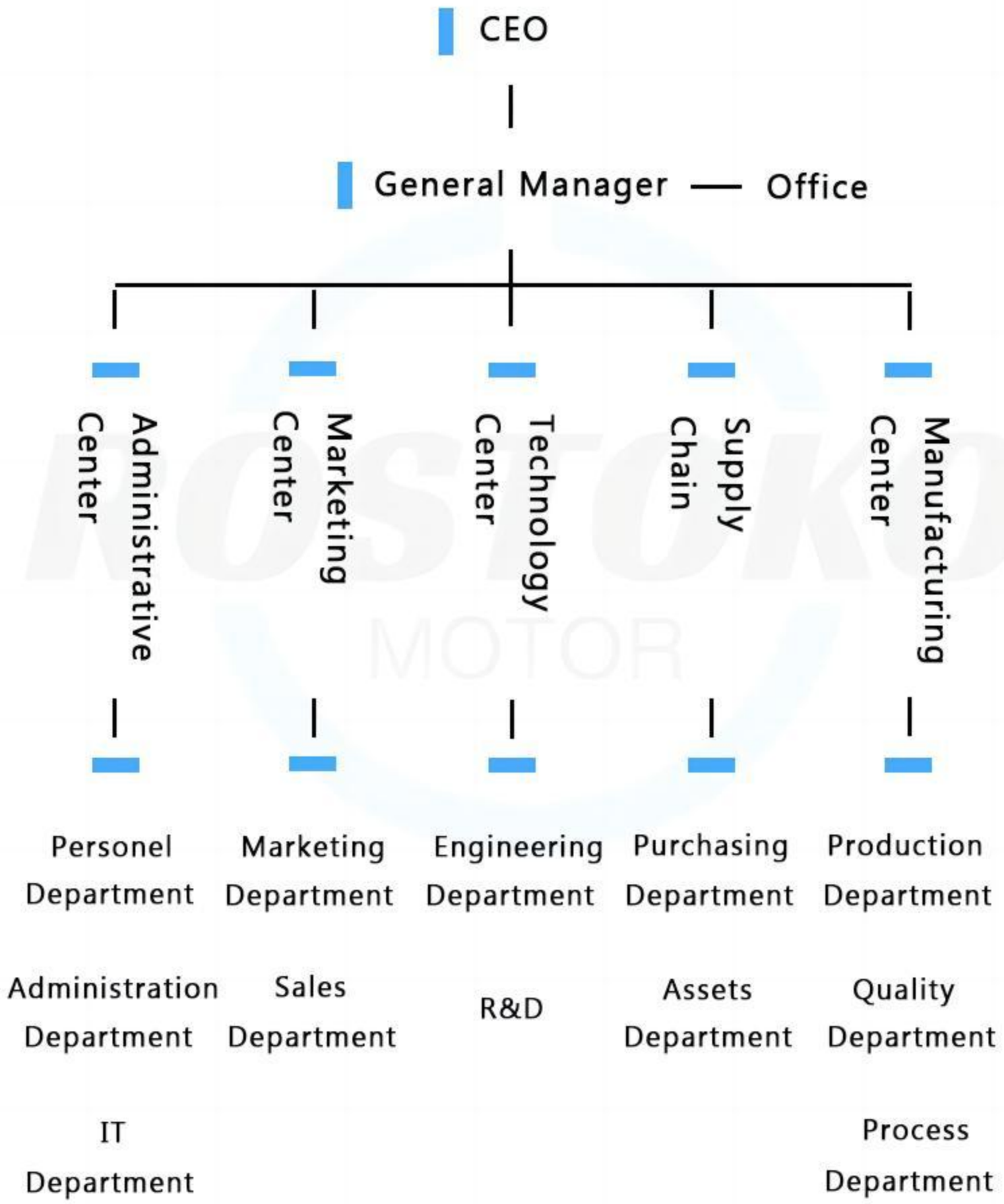


Frameless Motor





ORGANIZATION STRUCTURE



FACTORY ENVIRONMENT



Sample Room



Shenzhen R&D Base



Production Line



Core Technical Team



Warehouse



Exhibition



Professional Equipment

CERTIFICATE



ROSTOKO MOTOR 2 ELECTRIC MOTOR



2.1 BRUSHLESS



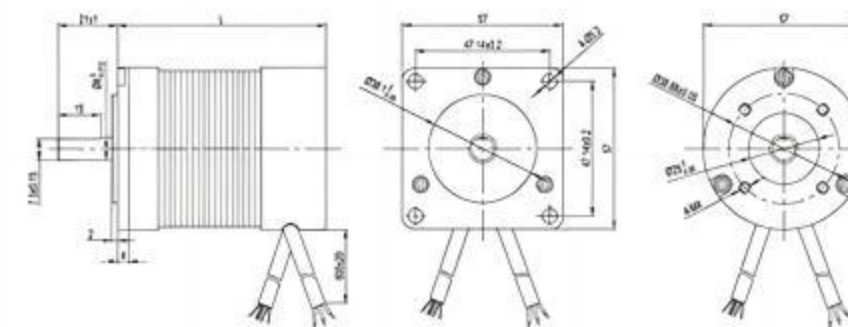
MOTOR

☆ Brushless Motor—57 Series



型号Model	57BL 45-230	57BL 55-230	57BL 75-230	57BL 95-230	57BL 115-230
极数Number of poles	4				
相数Number of phases	3				
额定电压Nominal voltage VDC	24				
额定转速Rated speed RPM	3000				
额定扭矩Rated torque N-M	0.055	0.11	0.22	0.33	0.45
额定电流Rated current Amps	1.16	2.4	4.8	6.6	8.6
输出功率Output power W	17	35	70	105	140
峰值扭矩Peak torque N-M	0.165	0.33	0.66	0.99	1.35
峰值电流Peak current Amps	3.48	7.2	14.4	19.8	25.8
力矩常数Torque constant N-M/A	0.052	0.06	0.06	0.063	0.063
反电势常数Back EMF constant V/K RPM	3.8	6.6	6.6	6.6	6.6
转动惯量Rotor inertia Kg mm ²	32	75	119	173	230
机身长度Body length mm	45	55	75	95	115
重量Mass Kg	0.33	0.44	0.75	1.0	1.25

☆ Frame Size:
57 MM



Frame Size(MM): 42, 57, 80, 86, 90, 110, 130

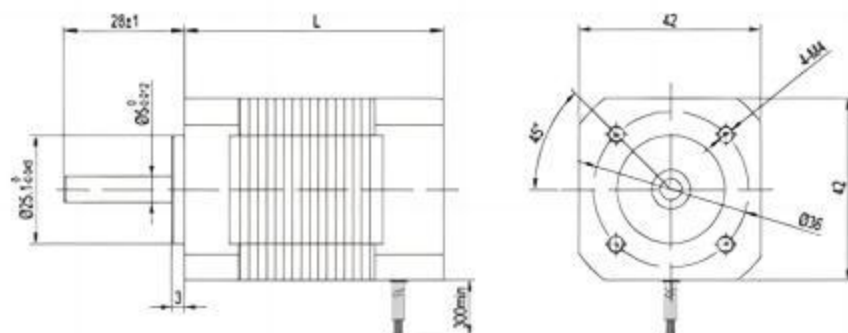
Support Customization Service

☆ Brushless Motor—42 Series



型号Model	42BLF 41-240	42BLF 61-240	42BLF 81-240	42BLF 100-240
极数Number of poles	8			
相数Number of phases	3			
额定电压Nominal voltage VDC	24			
额定转速Rated speed RPM	4000			
额定扭矩Rated torque N-M	0.0625	0.125	0.185	0.25
额定电流Rated current Amps	1.8	3.5	5.2	6.6
输出功率Output power W	26	52	78	105
峰值扭矩Peak torque N-M	0.18	0.38	0.55	0.75
峰值电流Peak current Amps	5.4	10.5	15.6	20
力矩常数Torque constant N-M/A	0.035	0.036	0.036	0.0376
反电势常数Back EMF constant V/K RPM	2.45	2.71	2.74	2.62
转动惯量Rotor inertia Kg mm ²	24	48	72	96
机身长度Body length mm	41	61	81	100
重量Mass Kg	0.33	0.45	0.65	0.8

☆ Frame Size:
42 MM

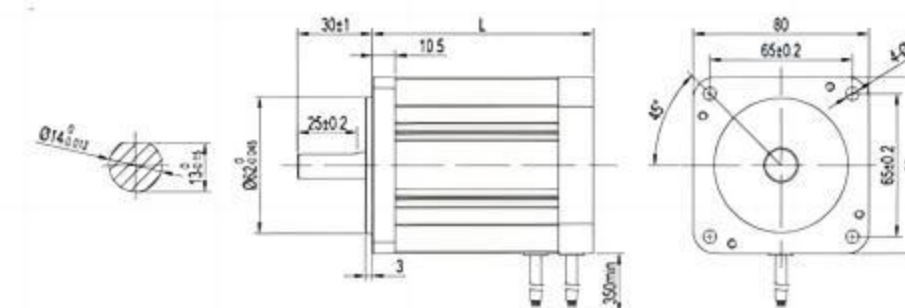


☆ Brushless Motor—80 Series



型号Model	80BLF 86-430	80BLF 106-430	80BLF 126-430	80BLF 126-450	80BLF 126-630
极数Number of poles	4				
相数Number of phases	3				
额定电压Nominal voltage VDC	48				
额定转速Rated speed RPM	3000	3000	3000	5000	3000
额定扭矩Rated torque N-M	0.4	0.7	1.2	1.2	1.2
额定电流Rated current Amps	5	7	12	12	2.1
输出功率Output power W	126	220	376	628	376
峰值扭矩Peak torque N-M	1.2	2.1	3	3	4.5
峰值电流Peak current Amps	15	21	36	36	6.3
力矩常数Torque constant N-M/A	0.11	0.11	0.11	0.11	0.72
反电势常数Back EMF constant V/K RPM	4.52	4.52	4.52	4.52	55
转动惯量Rotor inertia Kg mm ²	390	530	650	650	0.6
机身长度Body length mm	86	106	126	126	126
重量Mass Kg	2	2.5	3	3	3

☆ Frame Size:
80 MM

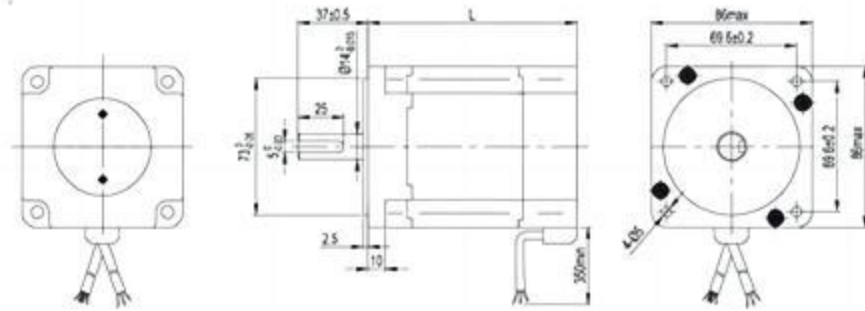


☆ Brushless Motor—86 Series



型号Model	86BLF 80-430	86BLF 105-430	86BLF 115-430	86BLF 130-430	86BLF 130-630
极数Number of poles	4				
相数Number of phases	3				
额定电压Nominal voltage VDC	48	48	48	48	310
额定转速Rated speed RPM	3000	3000	3000	3000	3000
额定扭矩Rated torque N-M	1	1.8	2.1	2.5	2.5
额定电流Rated current Amps	8.5	14.8	17	19.5	4
输出功率Output power W	314	565	659	785	785
峰值扭矩Peak torque N-M	3	5.4	6.3	7.5	7.5
峰值电流Peak current Amps	25	42	51	55	12
力矩常数Torque constant N-M/A	0.131	0.131	0.127	0.127	0.127
反电势常数Back EMF constant V/K RPM	13.7	13.7	13.3	13.3	13.3
转动惯量Rotor inertia Kg mm ²	120	230	266	320	320
机身长度Body length mm	80	105	115	130	130
重量Mass Kg	2.3	3.4	3.8	4.3	4.3

☆ Frame Size:
86 MM

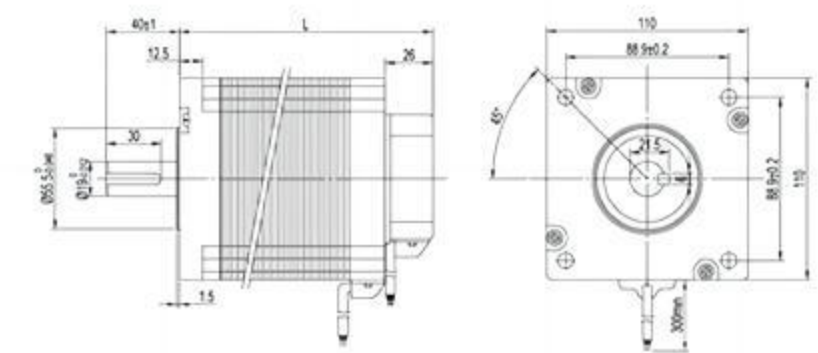


☆ Brushless Motor—110 Series



型号Model	110BLF 110-430	110BLF 110-630	110BLF 170-630	110BLF 230-630	110BLF 230-730
极数Number of poles	8				
相数Number of phases	3				
额定电压Nominal voltage VDC	48	310	310	310	520
额定转速Rated speed RPM	3000				
额定扭矩Rated torque N-M	3.2	3.2	6.4	9.6	9.6
额定电流Rated current Amps	28	4.1	8.2	13	7.3
输出功率Output power W	1000	1000	2000	3000	3000
峰值扭矩Peak torque N-M	10	10	20	30	30
峰值电流Peak current Amps	84	13	25	39	22
力矩常数Torque constant N-M/A	0.12	0.79	0.79	0.74	1.32
反电势常数Back EMF constant V/K RPM	8.4	55	55	55	95
转动惯量Rotor inertia Kg mm ²	3	3	6	6	9
机身长度Body length mm	110	110	170	230	230
重量Mass Kg	4.5	4.5	7	9.5	9.5

☆ Frame Size:
110 MM

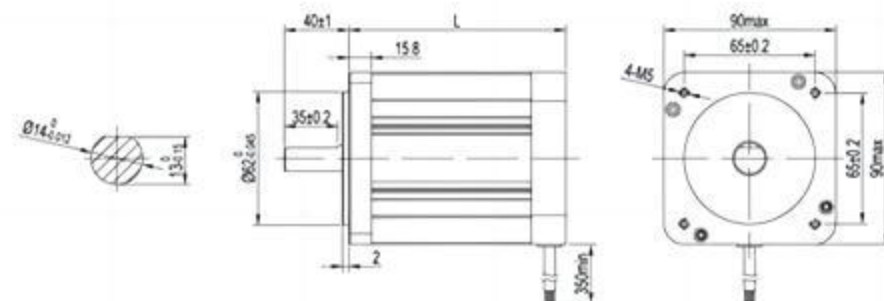


☆ Brushless Motor—90 Series



型号Model	90BLF 85-230	90BLF 110-430	90BLF 135-430
极数Number of poles	4		
相数Number of phases	3		
额定电压Nominal voltage VDC	24	48	48
额定转速Rated speed RPM	3000	3000	3000
额定扭矩Rated torque N-M	1	1.8	2.5
额定电流Rated current Amps	18	14.8	19.5
输出功率Output power W	315	565	785
峰值扭矩Peak torque N-M	3	5.4	7.5
峰值电流Peak current Amps	54	42	55
力矩常数Torque constant N-M/A	0.120	0.131	0.127
反电势常数Back EMF constant V/K RPM	13	13.7	13.3
转动惯量Rotor inertia Kg mm ²	160	250	340
机身长度Body length mm	85	110	135
重量Mass Kg	3.5	4.5	5

☆ Frame Size:
90 MM

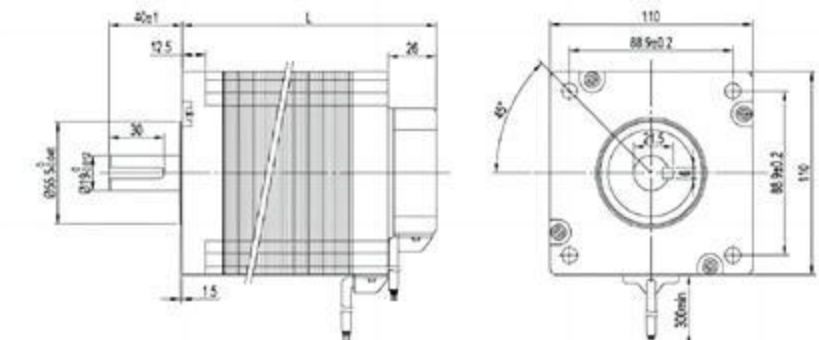


☆ Brushless Motor—130 Series



型号Model	130BLF 115-630	130BLF 140-630	130BLF 115-630
极数Number of poles	10		
相数Number of phases	3		
额定电压Nominal voltage VDC	310		
额定转速Rated speed RPM	3000		
额定扭矩Rated torque N-M	2.39	4.77	11.94
额定电流Rated current Amps	2.8	5.7	9.5
输出功率Output power W	750	1500	2500
峰值扭矩Peak torque N-M	7.1	14	35
峰值电流Peak current Amps	8.5	17	28
力矩常数Torque constant N-M/A	0.85	0.82	1.25
转动惯量Rotor inertia Kg mm ²	5.9	9.7	19.7
机身长度Body length mm	115	140	190
重量Mass Kg	6.1	7	11

☆ Frame Size:
130 MM



☆ Gearbox Motor—AL Series

2.2 GEARBOX



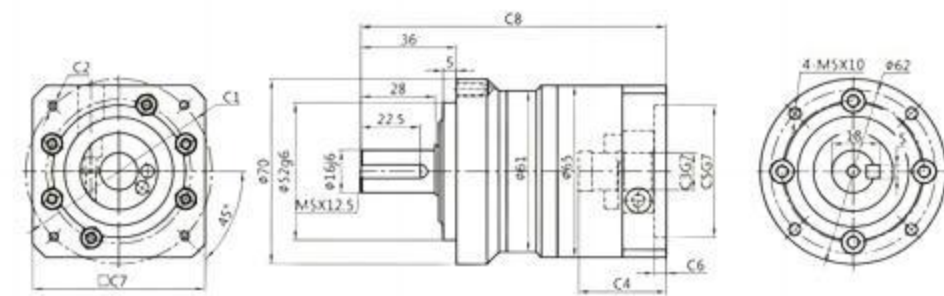
MOTOR



FRAME SIZE: 70/90/120
155/205 MM

GEAR RATIO: from 3:1 to 100:1

☆ Helical
Tooth



Gear Ratio: from 3:1 to 512:1

Support Customization Service

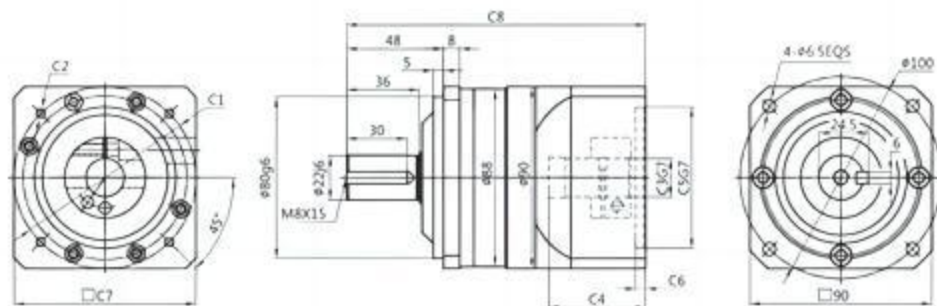
☆ Gearbox Motor—AF Series



FRAME SIZE: 60/90/115
140/180 MM

GEAR RATIO: from 3:1 to 100:1

☆ Helical
Tooth



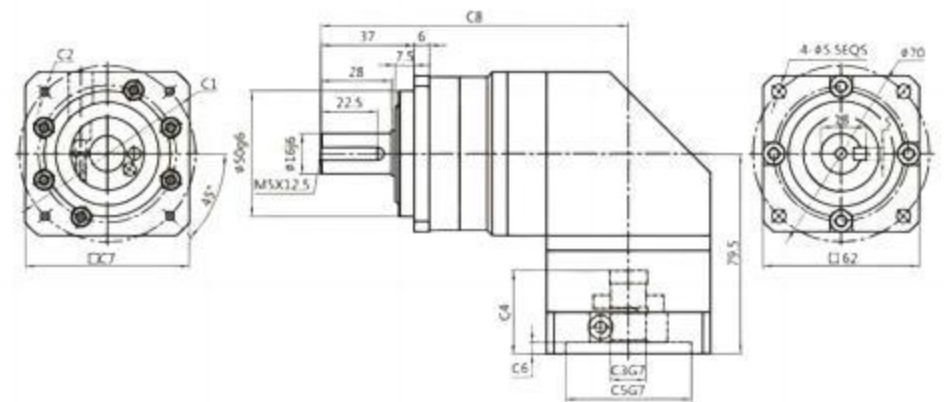
☆ Gearbox Motor—ZAF Series(right angle)



FRAME SIZE: 60/90/115
140/180 MM

GEAR RATIO: from 3:1 to 100:1

☆ Helical
Tooth



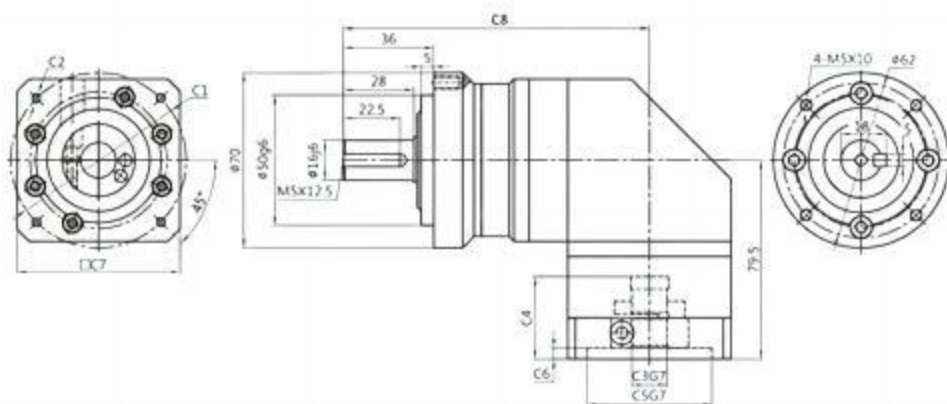
☆ Gearbox Motor—ZAL Series(right angle)



FRAME SIZE: 70/90/120
155 MM

GEAR RATIO: from 3:1 to 100:1

☆ Helical
Tooth



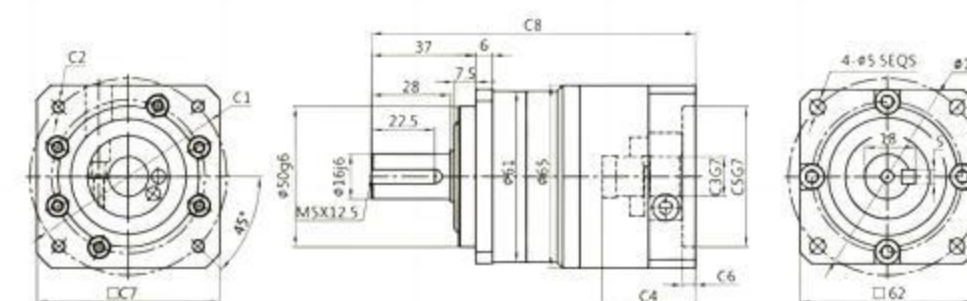
☆ Gearbox Motor—ALF Series



FRAME SIZE: 60/90 MM

GEAR RATIO: from 3:1 to 10:1

☆ Helical
Tooth



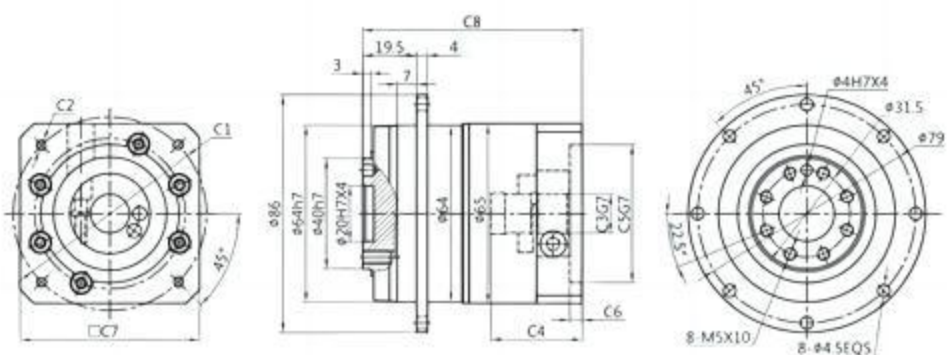
☆ Gearbox Motor—AH Series



FRAME SIZE: 64/90/110
140 MM

GEAR RATIO: from 3:1 to 100:1

☆ Helical
Tooth



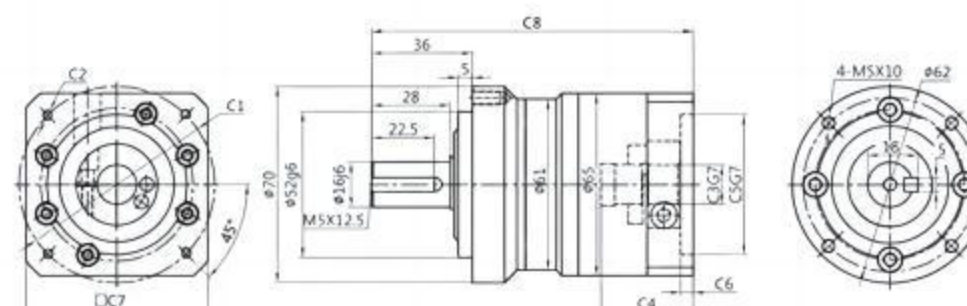
☆ Gearbox Motor—ALE Series



FRAME SIZE: 70/90 MM

GEAR RATIO: from 3:1 to 10:1

☆ Helical
Tooth

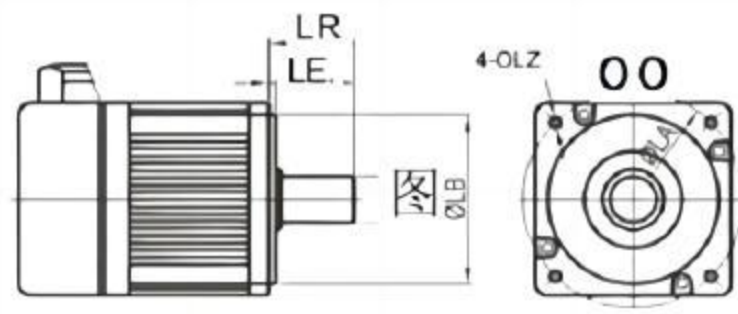


☆ Gearbox Motor—PLF Series



FRAME SIZE: 42/60/80
90/120/160 MM

GEAR RATIO: from 3:1 to 520:1



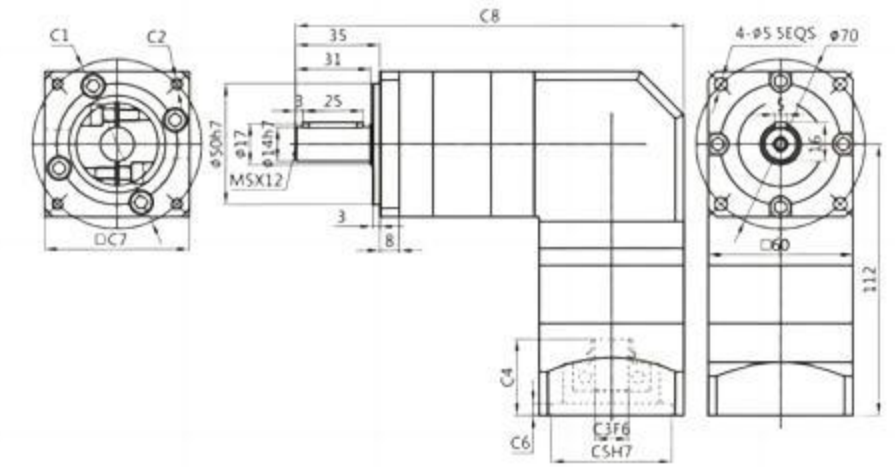
☆ Straight
Tooth

☆ Gearbox Motor—ZPLF Series(right angle)



FRAME SIZE: 60/90
120/160 MM

GEAR RATIO: from 3:1 to 350:1



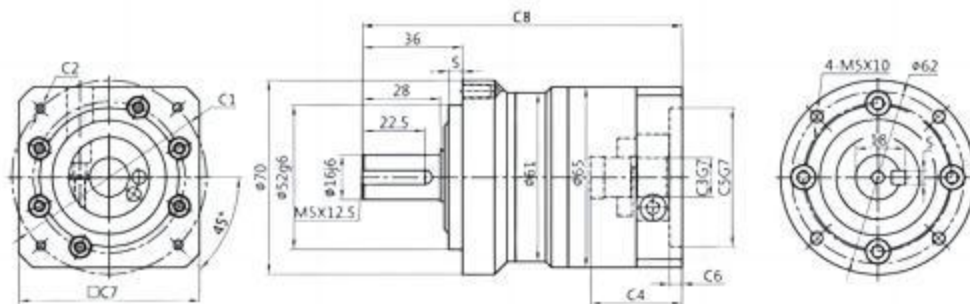
☆ Straight
Tooth

☆ Gearbox Motor—PLE Series



FRAME SIZE: 42/60/80
90/120/160 MM

GEAR RATIO: from 3:1 to 350:1



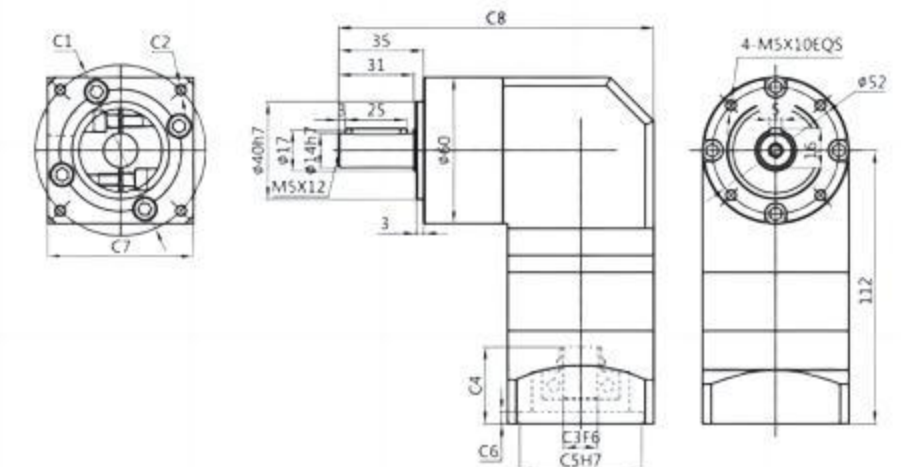
☆ Straight
Tooth

☆ Gearbox Motor—ZPLE Series(right angle)



FRAME SIZE: 60/90
120/160 MM

GEAR RATIO: from 3:1 to 350:1



☆ Straight
Tooth

2.3 SERVO



MOTOR

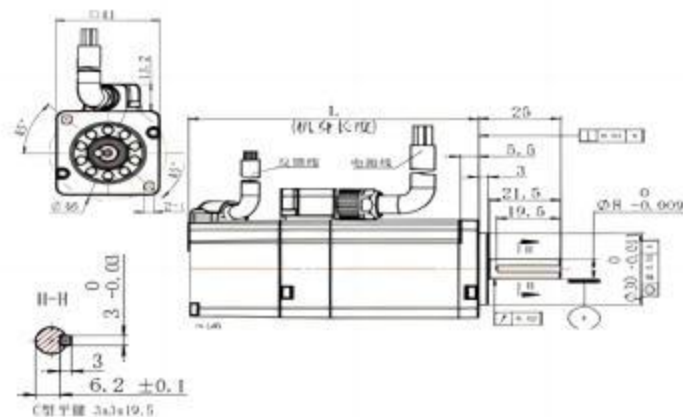
Frame Size(MM): 40, 60, 80, 110, 130

Support Customization Service

☆ Servo Motor—40 Series



电机型号 QM7S		R05A30□□	R05B30□□	R05C30□□	R10A30□□	R10B30□□	R10C30□□	R20A30□□
额定功率	V	50	50	50	100	100	100	200
电压等级	V	220	48	24	220	48	24	220
电机极数		10	10	10	10	10	10	10
额定转速	RPM	3000	3000	3000	3000	3000	3000	3000
最高转速	RPM	6000	4000	3500	6000	400	3500	6000
额定扭矩	N.m	0.16	0.16	0.16	0.32	0.32	0.32	0.64
瞬时最大扭矩	N.m	0.48	0.4	0.4	0.96	0.8	0.8	1.92
额定电流	A	0.61	1.57	2.8	0.84	2.93	4.96	1
瞬时最大电流	A	2.1	3.9	7	2.9	7.33	12.4	3
扭矩系数	N.m/A	0.165	0.1	0.057	0.37	0.1	0.064	0.35
转动惯量	kg.cm ²	0.041 (0.056)	0.041 (0.056)	0.041 (0.056)	0.066 (0.81)	0.066 (0.81)	0.066 (0.81)	0.08 (0.1)
电机重量	Kg	0.00 ()	0.00 ()	0.00 ()	0.00 ()	0.00 ()	0.00 ()	0.00 ()

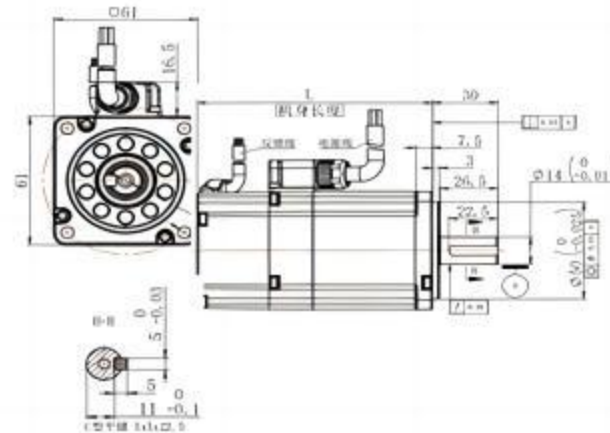


☆ Frame Size:
40 MM

☆ Servo Motor—60 Series



电机型号 QM7S		R05A30□□	R05B30□□	R05C30□□	R10A30□□	R10B30□□	R10C30□□	R20A30□□
额定功率	V	50	50	50	100	100	100	200
电压等级	V	220	48	24	220	48	24	220
电机极数		10	10	10	10	10	10	10
额定转速	RPM	3000	3000	3000	3000	3000	3000	3000
最高转速	RPM	6000	4000	3500	6000	400	3500	6000
额定扭矩	N.m	0.16	0.16	0.16	0.32	0.32	0.32	0.64
瞬时最大扭矩	N.m	0.48	0.4	0.4	0.96	0.8	0.8	1.92
额定电流	A	0.61	1.57	2.8	0.84	2.93	4.96	1
瞬时最大电流	A	2.1	3.9	7	2.9	7.33	12.4	3
扭矩系数	N.m/A	0.165	0.1	0.057	0.37	0.1	0.064	0.35
转动惯量	kg.cm ²	0.041 (0.056)	0.041 (0.056)	0.041 (0.056)	0.066 (0.81)	0.066 (0.81)	0.066 (0.81)	0.08 (0.1)
电机重量	Kg	0.00 ()	0.00 ()	0.00 ()	0.00 ()	0.00 ()	0.00 ()	0.00 ()

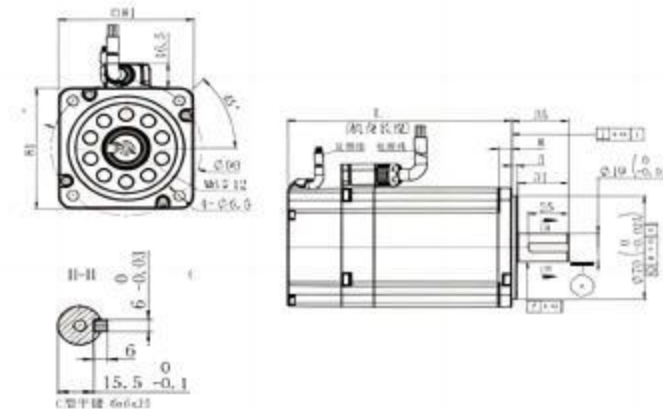


☆ Frame Size:
60 MM

☆ Servo Motor—80 Series



电机型号 QM7S		R75A30□□	R75B30□□	R75C30□□	R75C30□□	R10A30□□	R10B30□□
额定功率	V	750	750	750	750	1000	1000
电压等级	V	220	380	48	24	220	48
电机极数		10	10	10	10	10	10
额定转速	RPM	3000	3000	3000	3000	3000	3000
最高转速	RPM	6000	6000	3100	3100	6000	3100
额定扭矩	N.m	2.4	2.4	2.4	2.4	3.2	3.2
瞬时最大扭矩	N.m	7.2	7.2	6	6	9.6	8
额定电流	A	4.41	3	17.5	31.22	5.53	23.89
瞬时最大电流	A	13.23	9	43.75	78.05	16.59	59.72
扭矩系数	N.m/A	0.54	0.93	0.14	0.077	0.578	0.134
转动惯量	kg.cm ²	1.3 (1.5)	1.3 (1.5)	1.3 (1.5)	1.3 (1.5)	1.67 (1.9)	1.67 (1.9)
电机重量	Kg	0.00 ()	0.00 ()	0.00 ()	0.00 ()	0.00 ()	0.00 ()

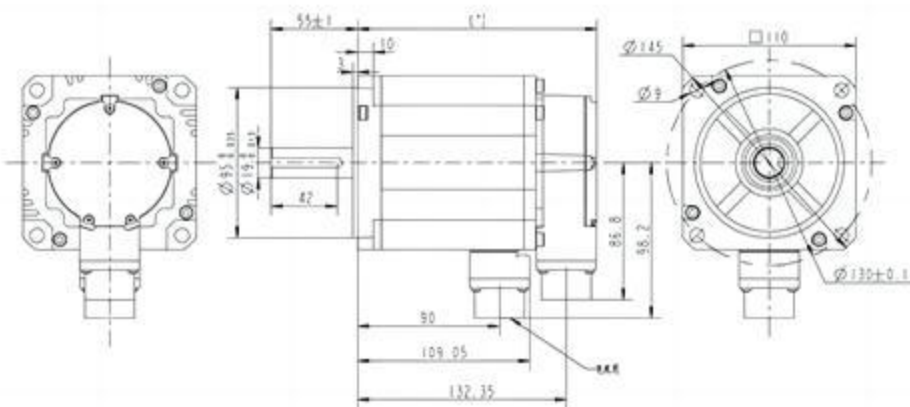


☆ Frame Size:
80 MM

★ Servo Motor—110 Series



类型(Model)	单位(Unit)	RS110SV150		RS110SV200	
		1500		2000	
额定功率(Rated power)	Pn	W			
额定电压(Rated voltage)	U	VDC	220VAC	48VDC	220VAC 48VDC
额定转速(Rated speed)	nn	RPM	3000	3000	3000 3000
额定转矩(Rated torque)	Tn	N.m	4.77	4.77	6.37 6.37
额定电流(Rated current)	In	A	7.6	43.4	10.1 58
最大转速(Maximum speed)	nmax	RPM	5000	5000	5000 5000
最大转矩(Maximum torque)	Tm	N.m	14.3	14.3	19.1 19.1
最大电流(Maximum current)	Im	A	22.8	130	30.3 174
电阻(Line to line resistance)	RL	Ω	0.36	0.01	0.29 0.009
电感(Line to line inductance)	LL	mH	5.6	0.16	4.8 0.145
反电势系数(BackEMF)	Ke	V/Krpm	38.1	6.35	39.1 6.63
转矩系数(Torque constant)	Kt	Nm/A	0.63	0.11	0.63 0.11
电气时间常数(Electrical time constant)	te	ms	15	15	16.5 16.1
机械时间常数 (Mechanical time constant)	tm	ms	0.48	0.48	0.51 0.53
转动惯量(Rotor inertia)	Jm0	Kg.cm ²	3.1	3.1	4.1 4.1
转动惯量带制动器(Rotor inertia with brake)	Jm1	Kg.cm ²	2.47	3.47	4.47 4.47
极数(Number of poles)			10	10	10 10



★ Frame Size:
110 MM

2.4 FRAMELESS



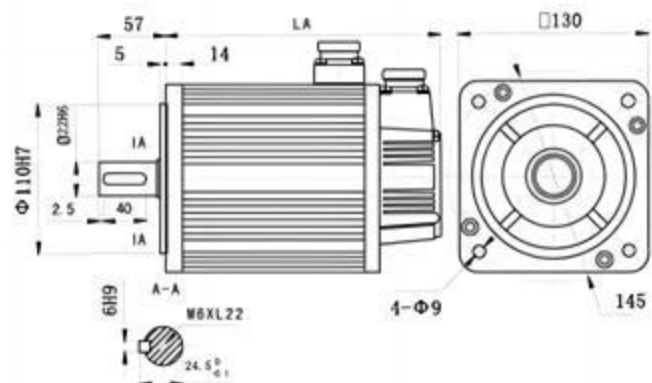
MOTOR

Stator Outer Diameter(MM): 50, 60, 70, 85, 115 | Support Customization Service

★ Servo Motor—130 Series



类型(Model)	单位(Unit)	RS130SV200		RS130SV300	
		2000		3000	
额定功率(Rated power)	Pn	W			
额定电压(Rated voltage)	U	VDC	220	48	220 48
额定转速(Rated speed)	nn	RPM	2000	2000	2000 2000
额定转矩(Rated torque)	Tn	N.m	9.55	9.55	14.3 14.3
额定电流(Rated current)	In	A	9.3	52.9	14 79.3
最大转速(Maximum speed)	nmax	RPM	3000	3000	3000 300
最大转矩(Maximum torque)	Tm	N.m	28.65	28.65	42.9 42.9
最大电流(Maximum current)	Im	A	27.9	158.7	42 237.9
电阻(Line to line resistance)	RL	Ω	0.8	0.025	0.5 0.016
电感(Line to line inductance)	LL	mH	4.2	0.14	3 0.1
反电势系数(BackEMF)	Ke	V/Krpm	68	12	68 12
转矩系数(Torque constant)	Kt	Nm/A	1.03	0.18	1.02 0.18
电气时间常数(Electrical time constant)	te	ms	5.3	5.6	6 6.3
机械时间常数 (Mechanical time constant)	tm	ms	1.68	1.69	1.5 1.54
转动惯量(Rotor inertia)	Jm0	Kg.cm ²	14	14	19.9 19.9
转动惯量带制动器(Rotor inertia with brake)	Jm1	Kg.cm ²	15.2	15.2	20.2 20.2
极数(Number of poles)			10	10	10 10



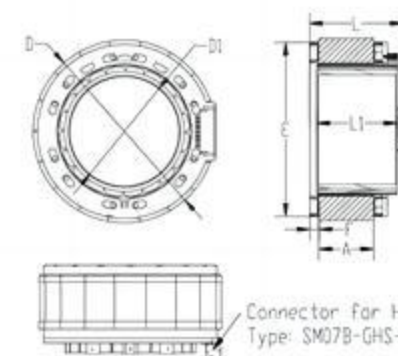
★ Frame Size:
130 MM

★ Frameless Motor—50 Series



	单位(Unit)	RS50BL15-48V-35183A	RS50BL08-48V-50170A
极数 (Number of poles)		20	20
相数 (Number of phases)		3	3
额定电压 (Rated voltage)	VDC	48	48
额定转矩 (Rated torque)	N.m	0.5	0.3
额定电流(Rated current)	A	4.8	3.6
额定速度 (Rated speed)	RPM	3500	4800
额定功率 (Rated power)	W	183	151
最大转速(Maximum speed)	RPM	4600	6000
峰值扭矩 (Peak torque)	N.m	1.5	0.96
峰值电流 (Peak current)	A	14.5	11.6
线电阻 (Line to line resistance)	ohms@20°C	0.77	0.9
线电感 (Line to line inductance)	mH	0.38	0.4
转矩常数 (Torque constant)	Nm/A	0.120	0.092
反电势 (Back EMF)	Vrms/KRPM	7.3	5.6

★ Outer Size:
50 MM



项目(Items)	FL50BL15	FL50BL08	公差(Tolerance)
定子外径D	50mm	50mm	±0.031(js9)
定子长度L	26mm	20mm	±1
转子内径D1	30mm	30mm	(+0.033/0)H8
转子长度L1	22mm	16mm	±0.2
灌胶面外径E	47.6mm	47.6mm	±0.2
灌胶面高度F	2.5mm	2.5mm	±0.3
定子铁芯高度A	15mm	8.6mm	+0.2/-0.3

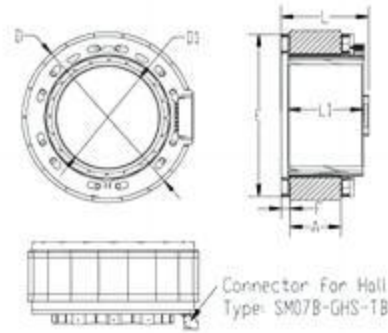
Connector for Hall
Type: SM07B-GHS-TB

☆ Frameless Motor—60 Series



	单位 (Unit)	RS50BL15-48V-35183A	RS50BL08-48V-50170A
极数 (Number of poles)		20	20
相数 (Number of phases)		3	3
额定电压 (Rated voltage)	VDC	48	48
额定转矩 (Rated torque)	N.m	0.5	0.3
额定电流 (Rated current)	A	4.8	3.6
额定速度 (Rated speed)	RPM	3500	4800
额定功率 (Rated power)	W	183	151
最大转速 (Maximum speed)	RPM	4600	6000
峰值扭矩 (Peak torque)	N.m	1.5	0.96
峰值电流 (Peak current)	A	14.5	11.6
线电阻 (Line to line resistance)	ohms@20°C	0.77	0.9
线电感 (Line to line inductance)	mH	0.38	0.4
转矩常数 (Torque constant)	Nm/A	0.120	0.092
反电势 (Back EMF)	Vrms/KRPM	7.3	5.6
机身长度 (Motor length)	mm	26	20
重量 (Weight)	g	147	95.6
电气时间常数 (Electrical time constant)	ms	0.49	0.45

☆ Frame Size:
60 MM



项目 (Items)	FL50BL15	FL50BL08	公差 (Tolerance)
定子外径D	60mm	60mm	±0.031(js9)
定子长度L	26mm	20mm	±1
转子内径D1	30mm	30mm	(+0.033/0)(H8)
转子长度L1	22mm	16mm	±0.2
灌胶面外径E	47.6mm	47.6mm	±0.2
灌胶面高度F	2.5mm	2.5mm	+0.3
定子铁芯高度A	15mm	8.6mm	+0.2/-0.3

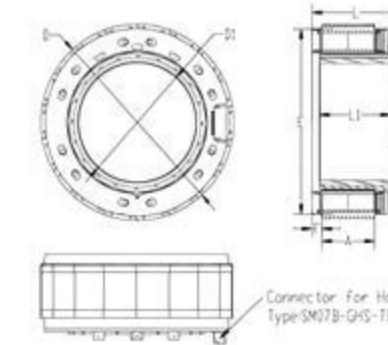
Connector For Hall
Type: SM07B-GHS-1B

☆ Frameless Motor—85 Series



	单位 (Unit)	RS85BL23-48V-3500730A	RS85BL13-48V-29400A
极数 (Number of poles)		20	20
相数 (Number of phases)		3	3
额定电压 (Rated voltage)	VDC	48	48
额定转矩 (Rated torque)	N.m	2.0	1.44
额定电流 (Rated current)	A	15	9.8
额定速度 (Rated speed)	RPM	3500	2950
额定功率 (Rated power)	W	732	440
最大转速 (Maximum speed)	RPM	4000	3800
峰值扭矩 (Peak torque)	N.m	6.0	4.66
峰值电流 (Peak current)	A	45	31.7
线电阻 (Line to line resistance)	ohms@20°C	0.092	0.23
线电感 (Line to line inductance)	mH	0.13	0.3
转矩常数 (Torque constant)	Nm/A	0.137	0.157
反电势 (Back EMF)	Vrms/KRPM	8.3	9.5
机身长度 (Motor length)	mm	35	27.5
重量 (Weight)	g	597	386
电气时间常数 (Electrical time constant)	ms	1.4	1.3

☆ Frame Size:
85 MM



项目 (Items)	FL85BL23	FL85BL13	公差 (Tolerance)
定子外径D	85mm	85mm	±0.043(js9)
定子长度L	36mm	27.5mm	±1
转子内径D1	52mm	52mm	+0.046/0(H8)
转子长度L1	34mm	22.5mm	±0.2
灌胶面外径E	81mm	81mm	±0.2
灌胶面高度F	4.2mm	4.2mm	+0.3
定子铁芯高度A	23mm	13mm	0/-0.5

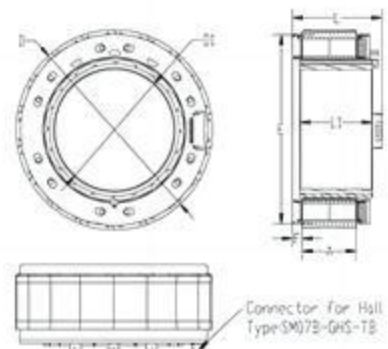
Connector For Hall
Type: SM07B-GHS-1B

☆ Frameless Motor—70 Series



	单位 (Unit)	RS70BL19-48V-35366A	RS70BL10-48V-36250A
极数 (Number of poles)		20	20
相数 (Number of phases)		3	3
额定电压 (Rated voltage)	VDC	48	48
额定转矩 (Rated torque)	N.m	1.0	0.66
额定电流 (Rated current)	A	9.2	6.2
额定速度 (Rated speed)	RPM	3500	3650
额定功率 (Rated power)	W	366	250
最大转速 (Maximum speed)	RPM	4500	4800
峰值扭矩 (Peak torque)	N.m	3.0	1.98
峰值电流 (Peak current)	A	28	18.5
线电阻 (Line to line resistance)	ohms@20°C	0.19	0.38
线电感 (Line to line inductance)	mH	0.18	0.33
转矩常数 (Torque constant)	Nm/A	0.12	0.115
反电势 (Back EMF)	Vrms/KRPM	7.4	7
机身长度 (Motor length)	mm	32	27.5
重量 (Weight)	g	315	210
电气时间常数 (Electrical time constant)	ms	0.95	0.87

☆ Frame Size:
70 MM



项目 (Items)	FL70BL19	FL70BL10	公差 (Tolerance)
定子外径D	69mm	69mm	±0.037(js9)
定子长度L	32mm	23.5mm	±1
转子内径D1	42mm	42mm	+0.039/0(H8)
转子长度L1	27.5mm	18mm	±0.2
灌胶面外径E	66mm	66mm	±0.2
灌胶面高度F	3.5mm	3.5mm	+0.3
定子铁芯高度A	18.9mm	10.5mm	-0.5/0

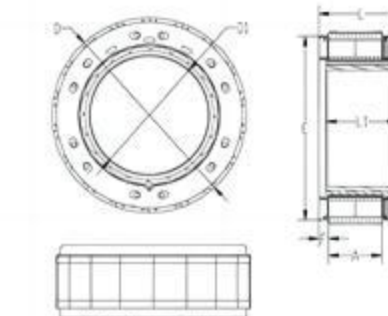
Connector For Hall
Type: SM07B-GHS-1B

☆ Frameless Motor—115 Series



	单位 (Unit)	RS115BL25-48V-14570	RS115BL50-48V-06620
极数 (Number of poles)		30	30
相数 (Number of phases)		3	3
额定电压 (Rated voltage)	VDC	48	48
额定转矩 (Rated torque)	N.m	3.9	9.51
额定电流 (Rated current)	A	14.1	15.1
额定速度 (Rated speed)	RPM	1400	620
额定功率 (Rated power)	W	570	620
最大转速 (Maximum speed)	RPM	1900	850
峰值扭矩 (Peak torque)	N.m	17.1	31.4
峰值电流 (Peak current)	A	49	52
线电阻 (Line to line resistance)	ohms@20°C	0.15	0.32
线电感 (Line to line inductance)	mH	0.25	0.48
转矩常数 (Torque constant)	Nm/A	0.293	0.662
反电势 (Back EMF)	Vrms/KRPM	17.7	40
机身长度 (Motor length)	mm	39	68
重量 (Weight)	g	1110	2200
电气时间常数 (Electrical time constant)	ms	1.7	18

☆ Frame Size:
115 MM



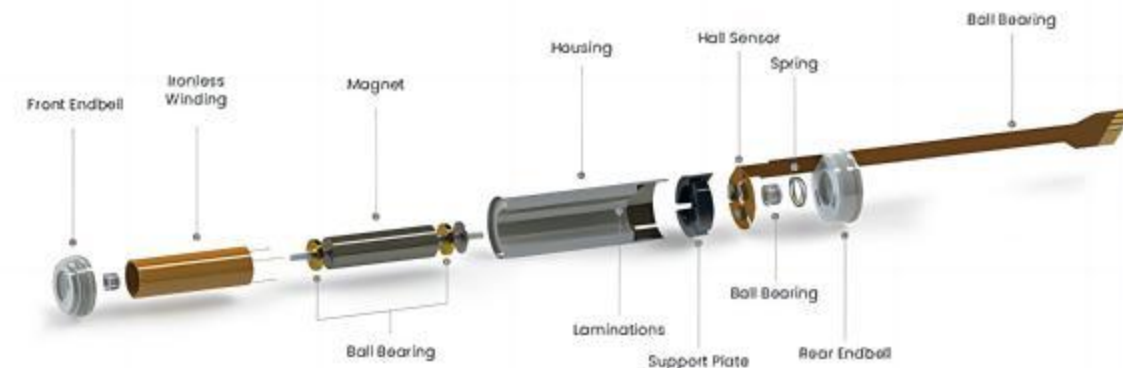
项目 (Items)	FL115BL25	FL115BL50	公差 (Tolerance)
定子外径D	115mm	115mm	js9
定子长度L	39mm	68mm	±1
转子内径D1	74mm	74mm	H8
转子长度L1	32.7mm	57.7mm	±0.25
灌胶面外径E	112mm	112mm	±0.2
灌胶面高度F	5.5mm	5.5mm	+0.3
定子铁芯高度A	25mm	50mm	-0.5/0

2.5 SLOTLESS



MOTOR

☆ Slotless Motor—16 Series

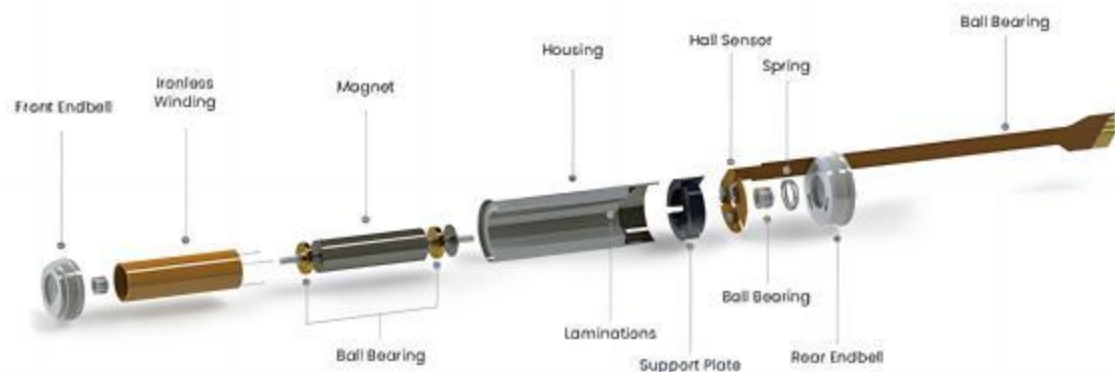


☆ External Size:
16 MM

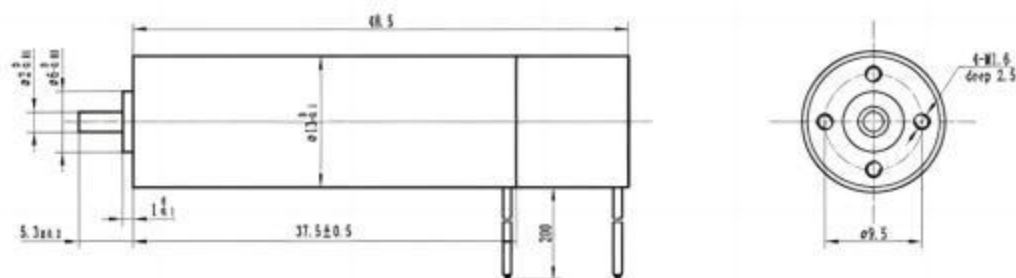


External Diameter(MM): 13, 16, 19, 22, 28, 30, 40 | Support Customization Service

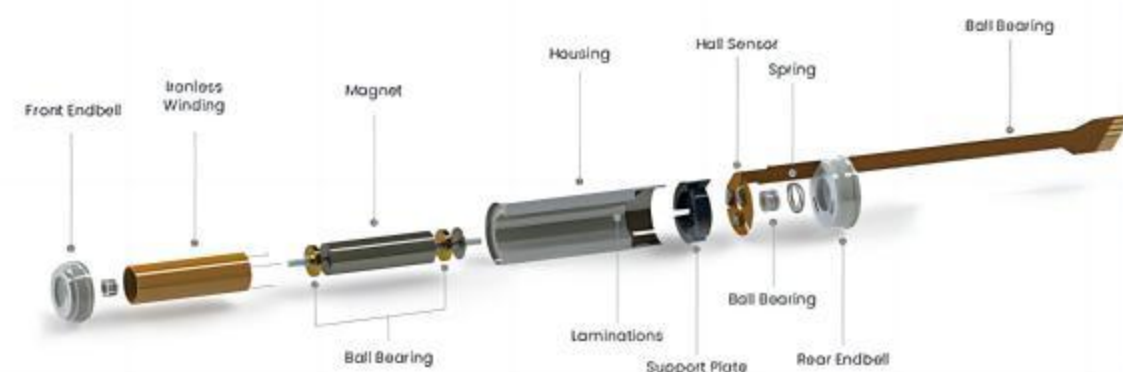
☆ Slotless Motor—13 Series



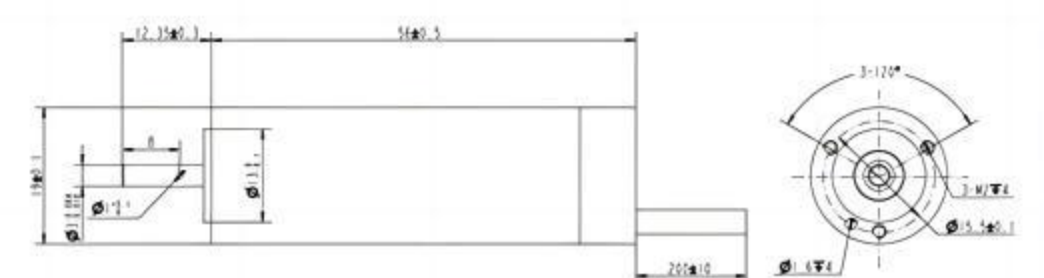
☆ External Size:
13 MM



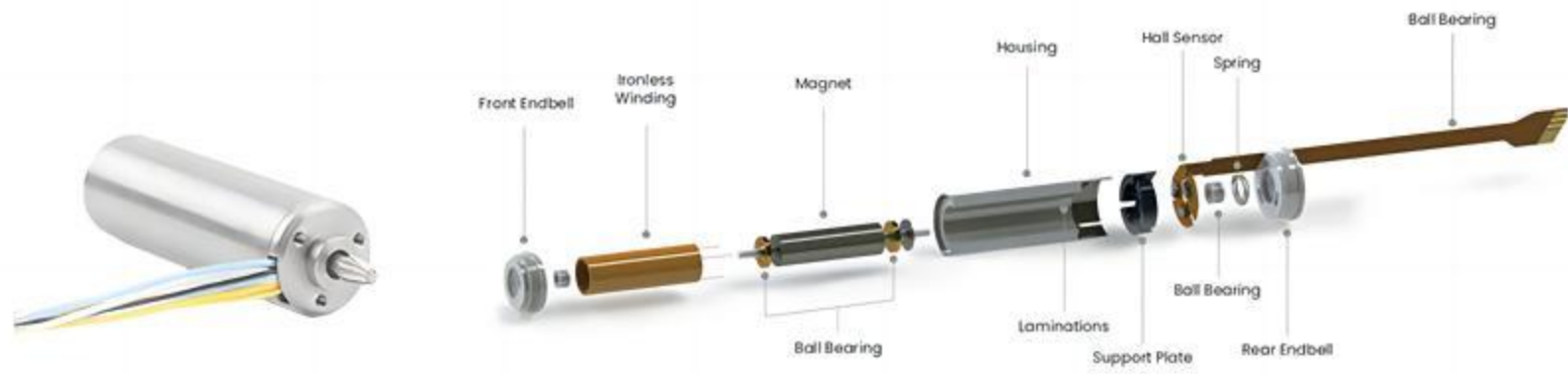
☆ Slotless Motor—19 Series



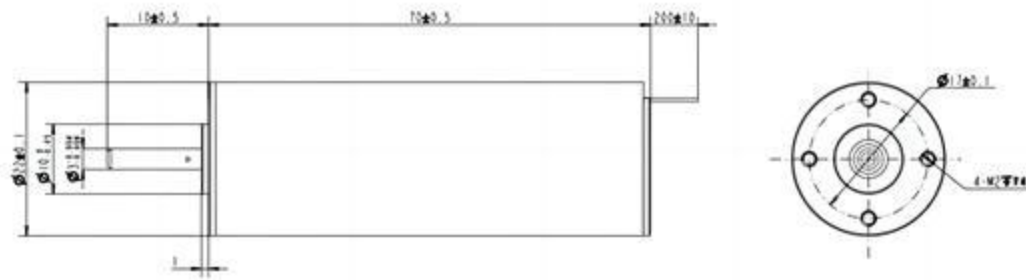
☆ External Size:
19 MM



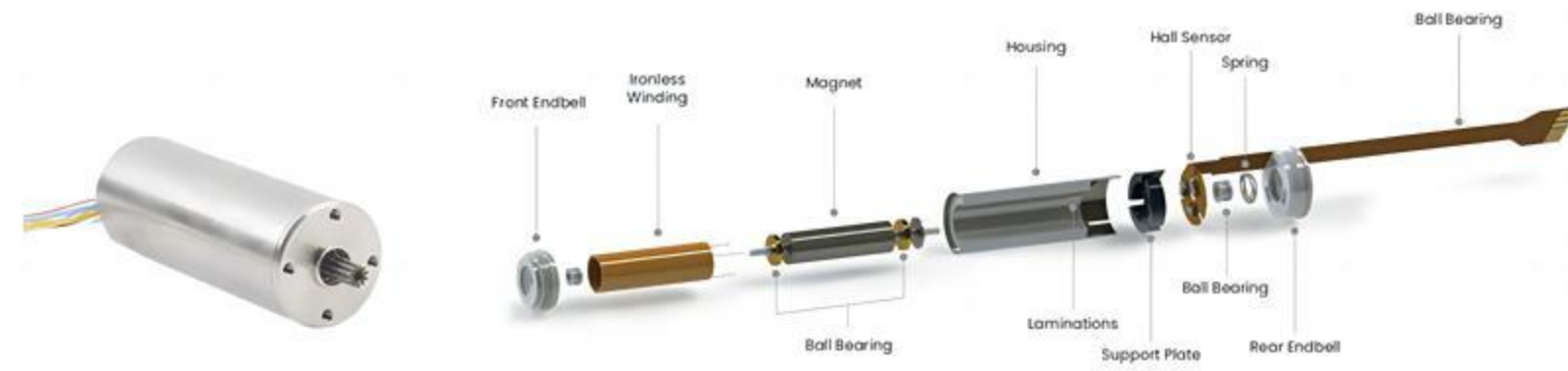
☆ Slotless Motor—22 Series



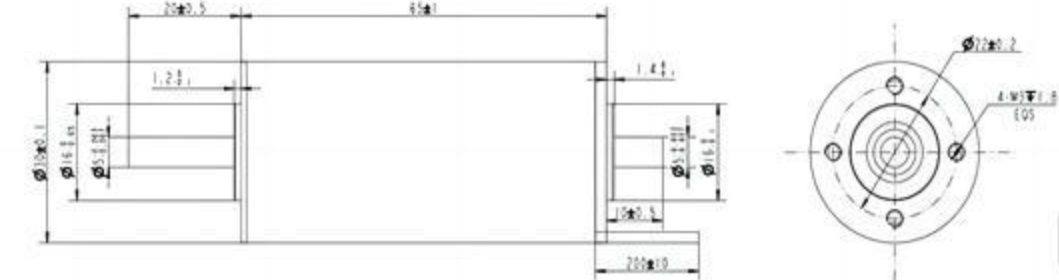
☆ External Size:
22 MM



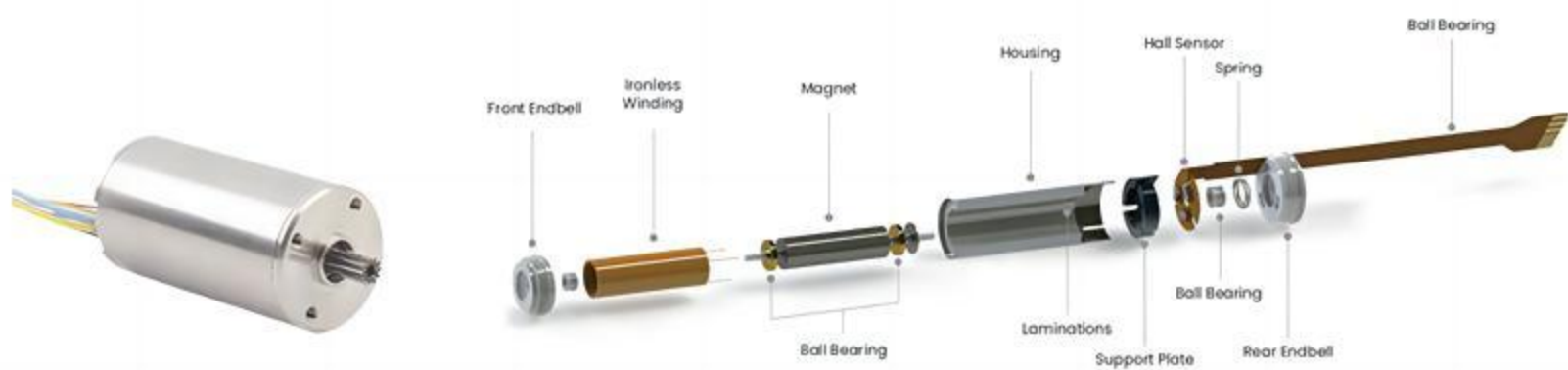
☆ Slotless Motor—30 Series



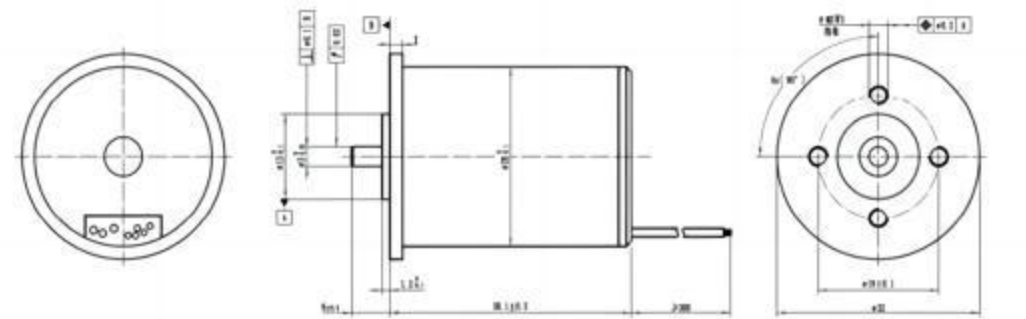
☆ External Size:
30 MM



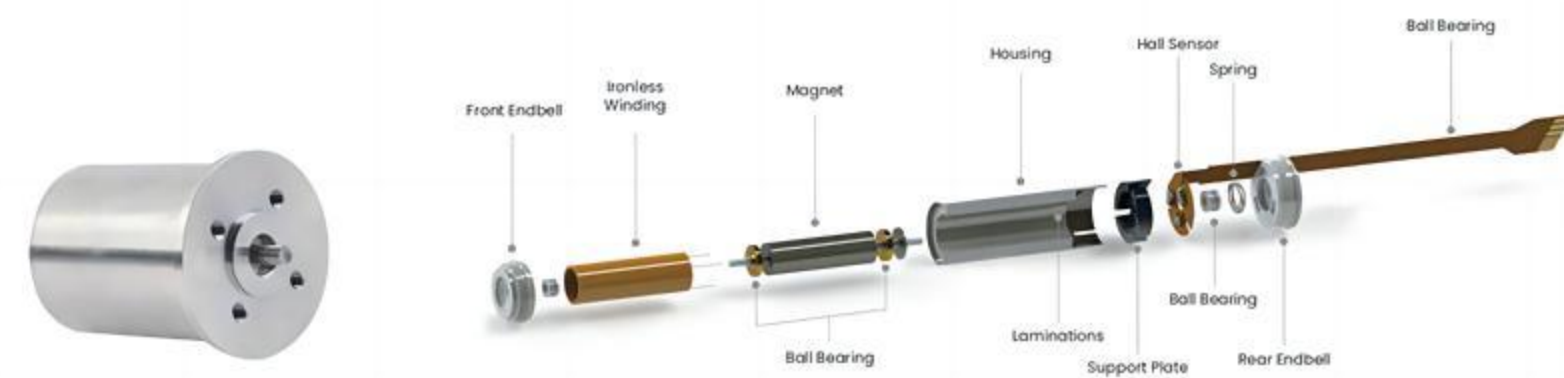
☆ Slotless Motor—28 Series



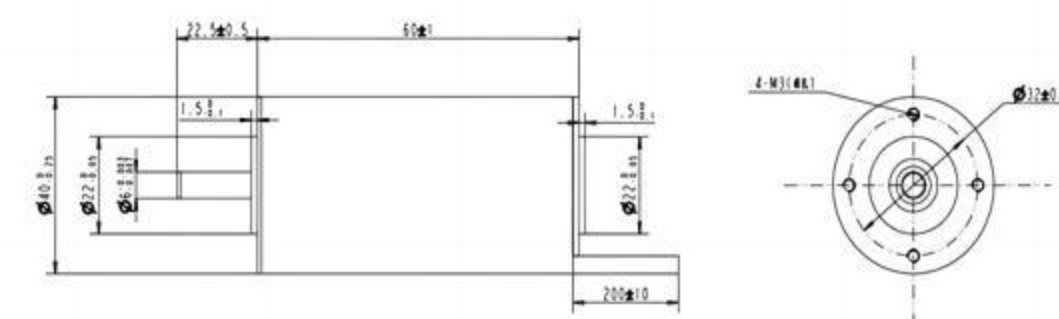
☆ External Size:
28 MM



☆ Slotless Motor—40 Series



☆ External Size:
40 MM



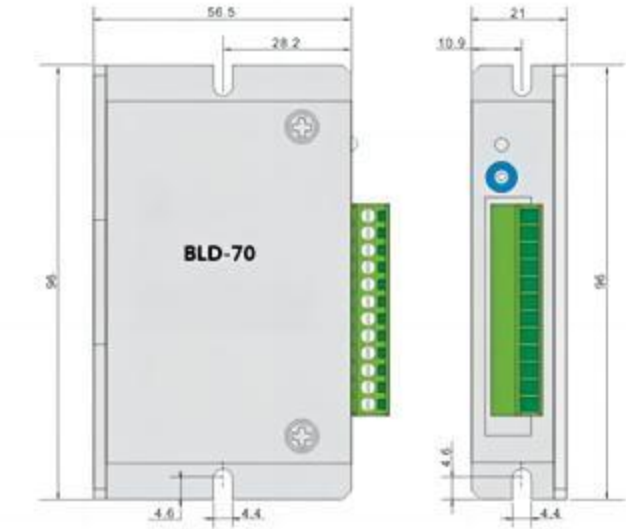


CONTROLLER DRIVER

★ BLDC Driver—BLD-70B



POWER: Max 70 W
CURRENT: 3 A
VOLTAGE: 12-30 V

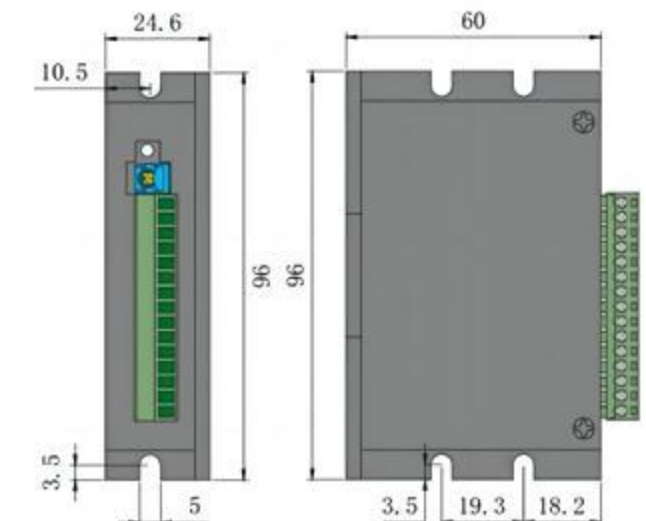


★ Power(max):
70 W

★ BLDC Driver—BLD-120A



POWER: Max 120 W
CURRENT: 8 A
VOLTAGE: 12-30 V



★ Power(max):
120 W



★ **BLDC Driver—BLD-300B**



POWER: Max 300 W
CURRENT: 15 A
VOLTAGE: 12-56 V

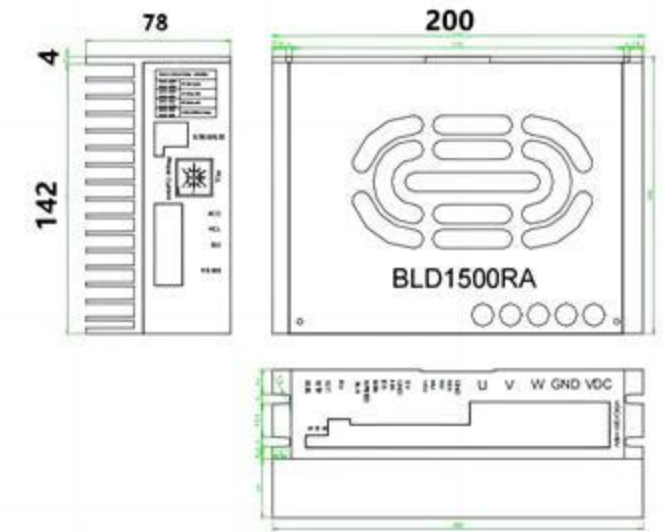


★ **Power(max):**
300 W

★ **BLDC Driver—BLD-1500RA**



POWER: Max 1500 W
CURRENT: 22-82 A
VOLTAGE: 20-50 V

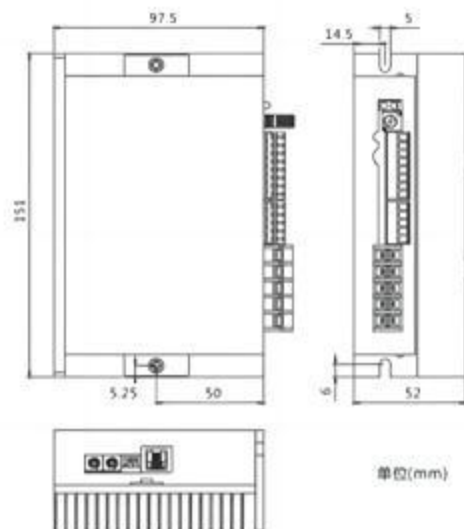


★ **Power(max):**
1500 W

★ **BLDC Driver—BLD-750**



POWER: Max 750 W
CURRENT: 25 A
VOLTAGE: 18-52 V

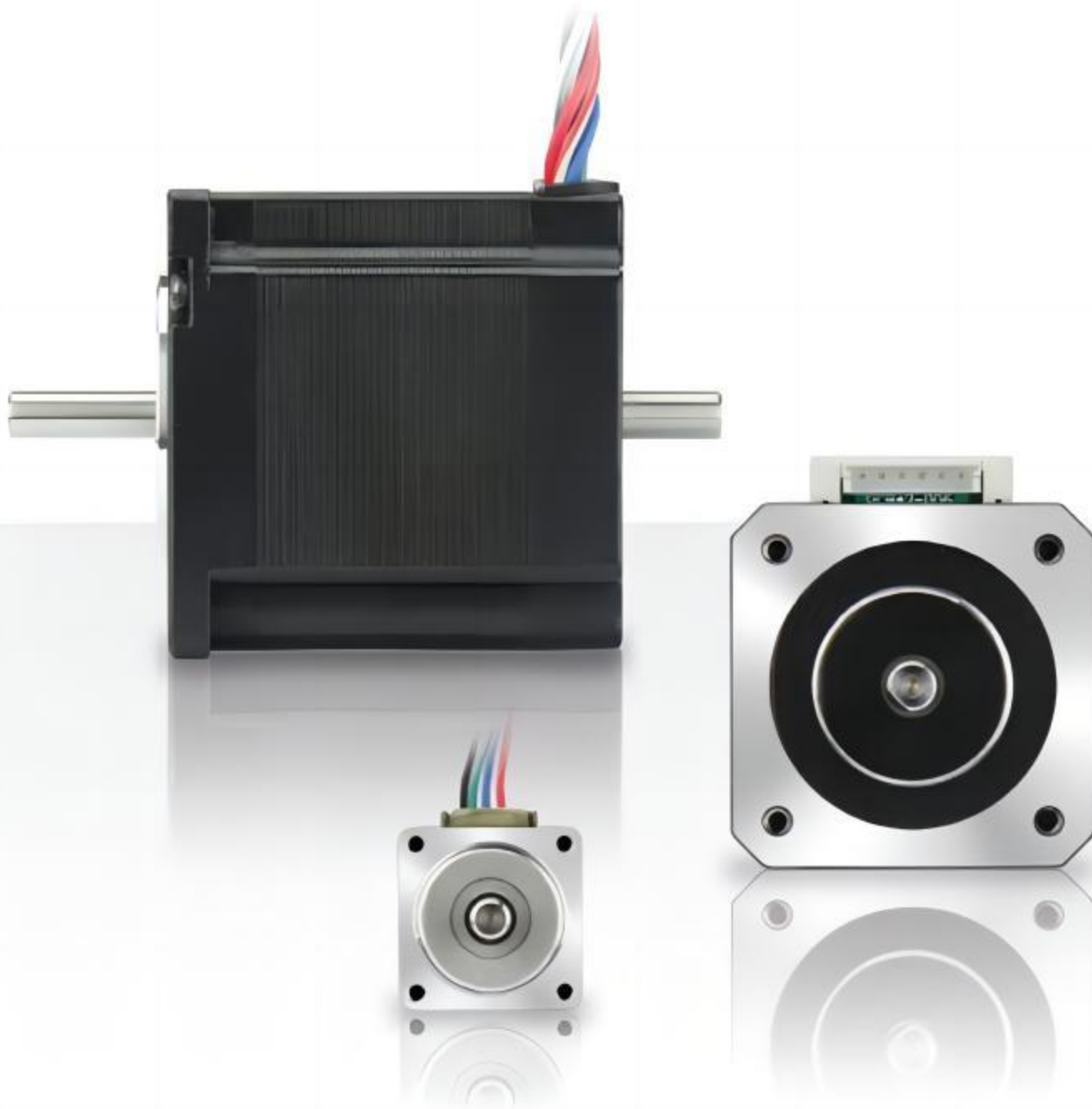


★ **Power(max):**
750 W

ROSIKO
4

PRODUCTS
CUSTOMIZED

MOTOR/DRIVER
OEM/ODM



Motor Customizations

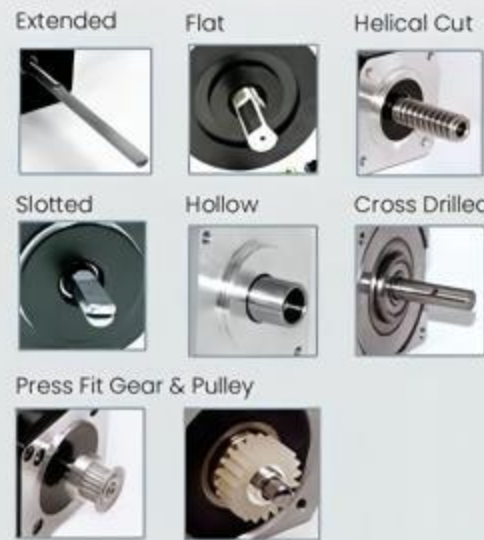
What sets us apart from other manufacturers is our extensive ability to optimize and customize our motors for your specific application needs. We can ensure that our motors are optimized to deliver the required performance for your specific application, whether it's increasing torque at a specific speed range, reducing noise or vibration, or optimizing for minimal power consumption.

Furthermore, we can create custom modifications to the motor lead wires and connectors, customized mounting brackets, and motor housing for proper fit and alignment. Customized motor shafts are available, including adding gears or pulleys to drive. Additionally, we can extend the motor's capabilities with value-add components such as gearboxes, encoders, dampers, and custom electronics.

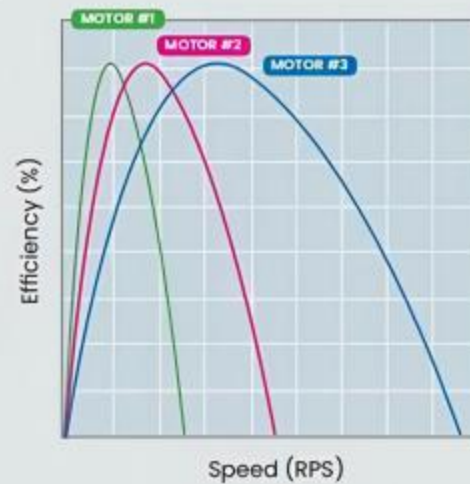


Multiple Mounting Configurations

NEMA 6, 8, 11, 14, 17, 23, & 34



Multiple Shaft Options *



*Based on customer provided drawings and specifications

Winding

Lin can help calculate speed, torque, and input power to create a winding that is specific to your application.

◀ The Benefits?

- ✓ High Efficiency
- ✓ Less Power Input
- ✓ No Trial & Error
- ✓ Save Time, Money, and Energy

Encoders, Dampers, Gearboxes, & Mechatronics



▲ Position

Verification & Accuracy with Encoders



▲ Reduce

Resonance & Vibration with Dampers



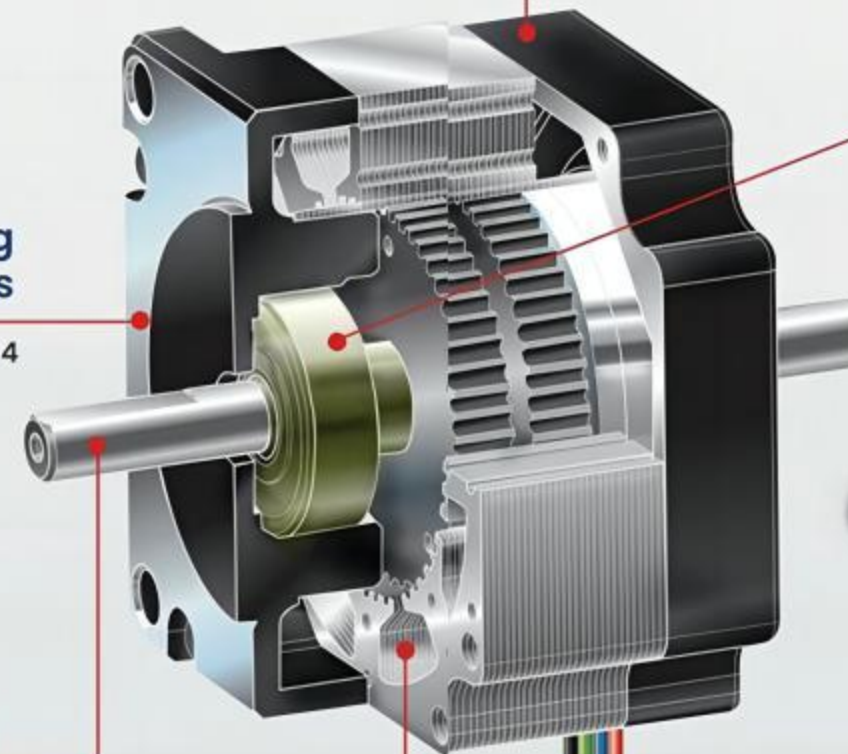
▲ Increase

Torque & Speed with Gearboxes



▲ Utilize

Intelligent Motors with Mechatronics



Bearings & Lubricants

Ball Bearings, Stainless Steel Bearings, Seals, Special Lubricants for high temperature/humid operation



▲ Water/Dust Protection

IP65 (Splash Proof)
IP67 (Submersible)

▶ Vacuum Rated

NEMA 11, 17, & 23 - 1.8°

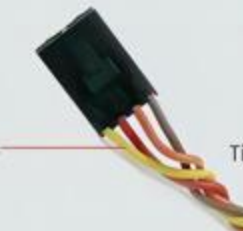


Lead Wires & Cables

Pin & Connector Installation

Special Lead Wire
Custom Color Code
Teflon Insulated Wire
Special Length Lead Wire

Custom Connector & Cable



Braided or Twisted Leads

Tie Wraps

EMI Protection

Heat Shrink Tube



Jumper

Cable (Special length Cable Available)



BLDC Servo Motors for Collaborative Robots

ROSTOKO designs, engineers, and manufactures a variety of BLDC motors for collaborative robot applications. Cobot arms typically consist of compact multi-axis assemblies with unique requirements per axis, often requiring precise speed and position control, as well as the ability to hold position under varying loads. ROSTOKO MOTOR offers cost-effective motor solutions for all axis of motion.



Frameless BLDC Motors



Frameless BLDC motors offer maximum engineering flexibility and excellent torque-to-size ratio. The rotor and stator are delivered as separate components that can be mounted directly to the assembly in which the motor is used.

- OD Range: 20 mm to 160 mm
- ID Range: 8 mm to 120 mm
- Continuous Torque Range: up to 2 Nm
- Peak Torque Range: up to 6 Nm
- Current Range: up to 12 Amps
- Voltage: up to 80 V
- Speed: up to 20,000 RPM
- Thickness: up to 100 mm
- Other Sizes Can be Configured

Standard BLDC Motors



Standard BLDC motors are offered in standard NEMA frame sizes and provide a wide range of speeds and smooth torque output.

- NEMA 17, 23, and 34 Mounting
- Wide Range Of Speed Control and Smooth Torque Output
- Excellent Speed Stability
- Small Size, High Power
- Low Temperature Rise, Low Noise, Low Vibration
- Long Life, Low Maintenance Costs
- Energy Efficient
- Planetary Gearboxes are Available
- Custom Windings and Modifications Available

Slotless BLDC Motors

Slotless BLDC Motors are the right choice for various Collaborative Robot material processing tools and attachments such as claws, grippers, and articulating appendages.

- Speeds up to 50,000 RPM
- High Efficiency and Torque
- Operational Lifetime of up To 20,000 Hours
- Smooth and Silent Operation
- High Accuracy Motion Control
- 13 mm to 30 mm Diameter
- Gearbox, Encoder, and Driver/Controller Options Available



Servo BLDC Motors



AC and DC Servo Motors provide precise speed, position, and torque control. Available in 40 mm to 180 mm frame sizes with rated output up to 5,500 watts, and rated speed of up to 3,000 RPM. Includes integrated 2,500 PPR incremental encoder.

- Segmented Winding Technology for Maximum Power Density
- Epoxy-Encapsulated Stator for Optimal Heat Dissipation
- High Energy Skewed Magnets for Greater Peak Torque and Speed Control
- Double Bonded Magnets and Precision Balancing for Smooth, Safe Operation
- High-Capacity Bearings for Long Life With High Radial Loads
- Ip65 Rating for Durability
- Multiple Encoder Options Available
- Servo Motor Sizes: 40 mm To 180 mm
- Available In AC or DC